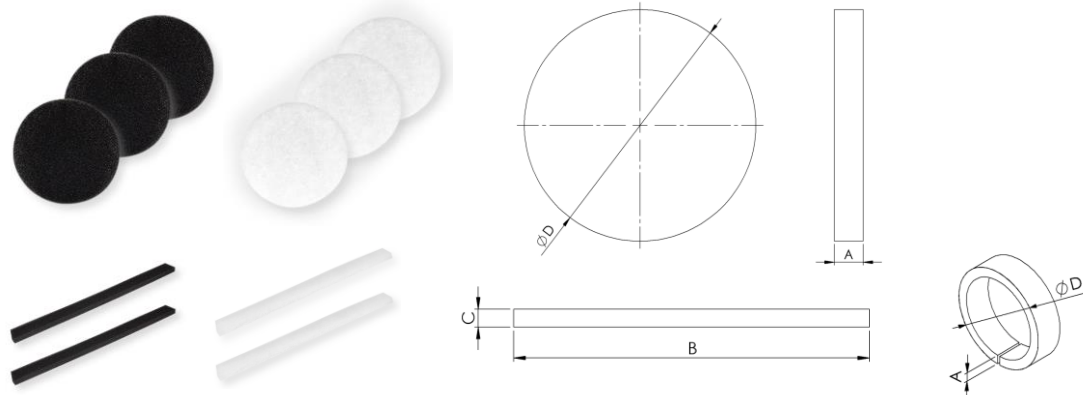


Filters F



Description

The filter is an element of various ventilation system accessories, which is used for air filtration in air ducts, grilles, wall ventilation kits, and recuperators. Depending on the type of filter, it ensures the filtration of insects, dust, or pollen

Technical data

Article	Type	Material	Filter class*	Application	Washable	Temperature range
Fxxx	Standard filter	Polyurethane	PPI30 / ISO Coarse <40%	Filtration of dust, debris and insects	Yes	-30°C ... +60°C
Fxxx-G4	Pollen filter	Polyester	G4 / ISO Coarse 65%	For allergic users, sensitive environments, pollen filtering	No, should be changed regularly	-30°C ... +80°C

Dimensions

Type	$\varnothing D$ [mm]	A [mm]	B [mm]	C [mm]
F80	80	10	-	-
F80-G4	80	10	-	-
F100	100	10	-	-
F100-G4	100	10	-	-
F125	125	10	-	-
F125-G4	125	10	-	-
F150	150	10	-	-
F150-G4	150	10	-	-
F160	160	10	-	-
F160-G4	160	10	-	-
F490x43	170	15	490	43
F490x43-G4	170	20	490	43

*Filter class acc. to ISO 16890